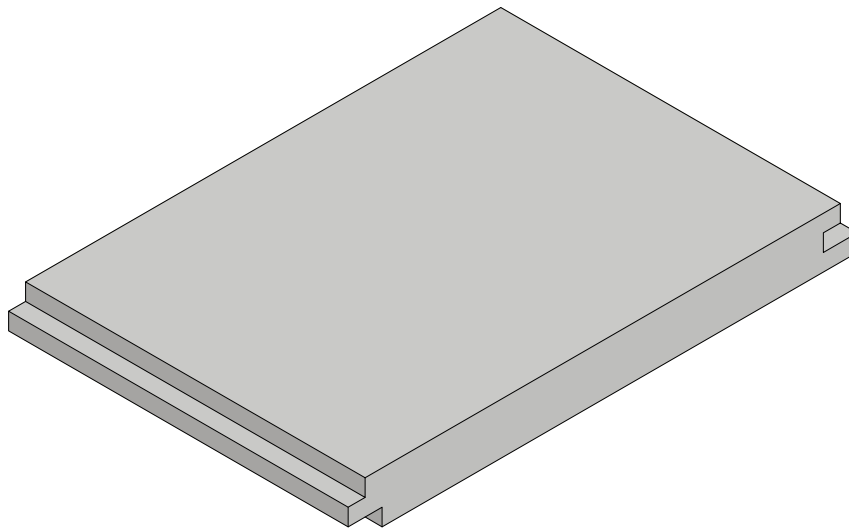
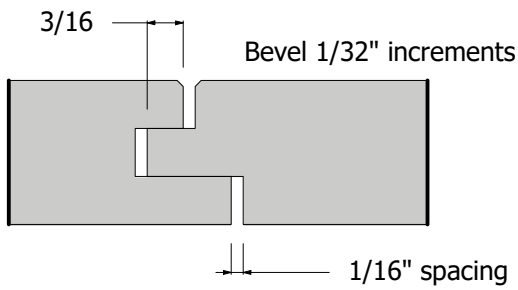
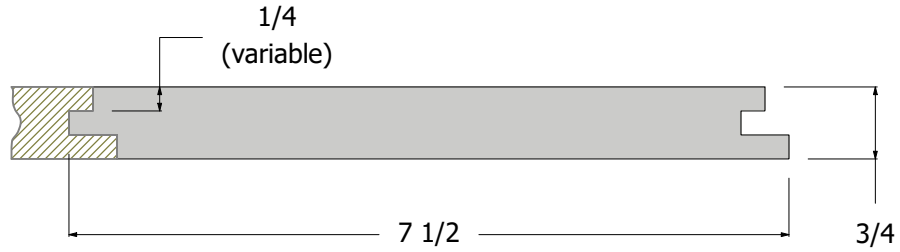


Back checking is standard on flooring only, but is available on request for wall paneling & ceiling boards.



**Note:** Reverse Nail Flange

Scale :  
1 : 2

Part Number :  
TG-10-A

Style :  
Transitional  
Modern

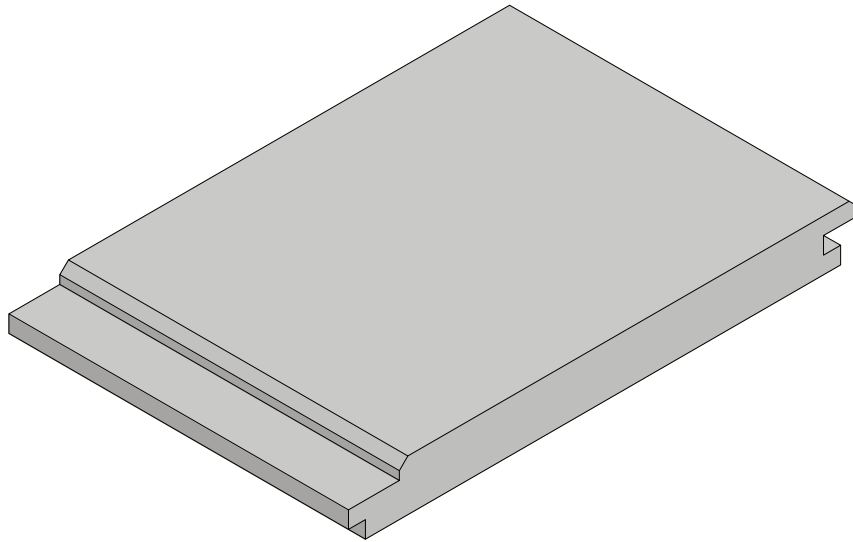
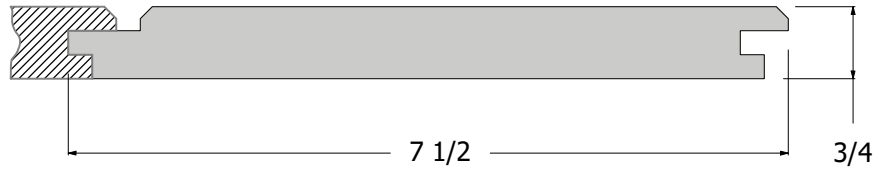
[Back](#)

Description :  
T & G Paneling




**HOMESTEAD**  
WOODWORKS

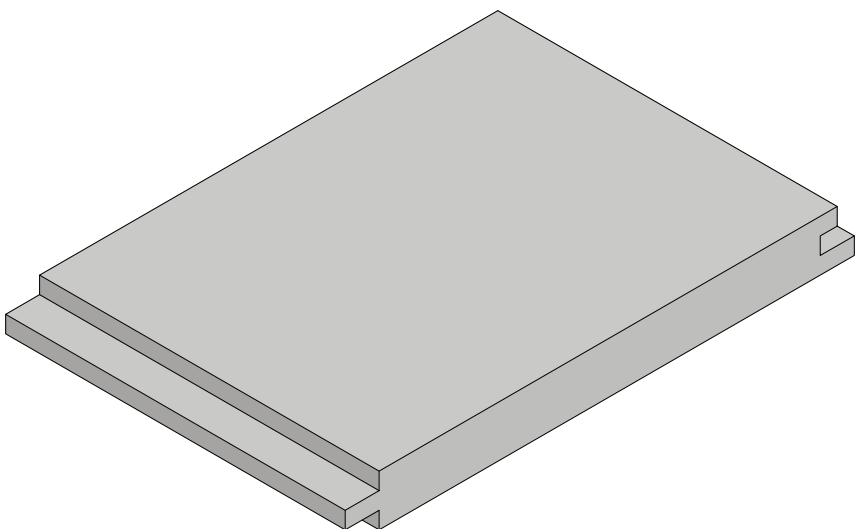
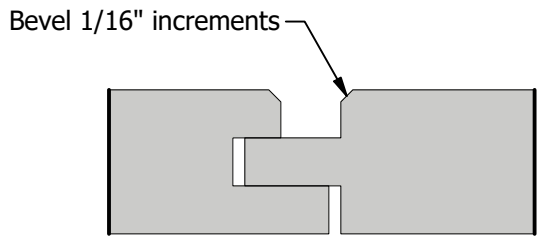
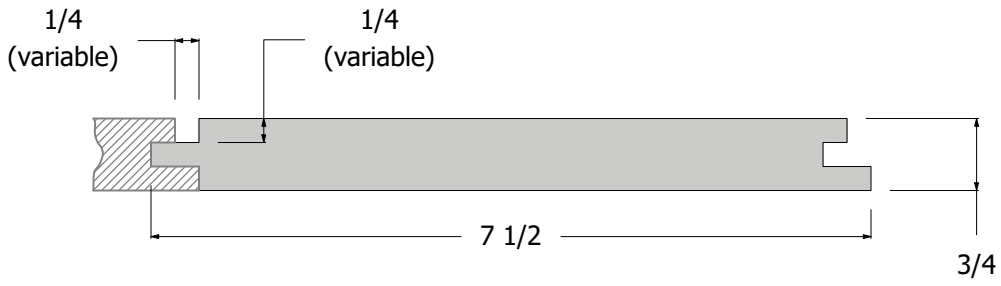
Back checking is standard on flooring only,  
but is available on request for wall paneling  
& ceiling boards.



**Note:** This is a carbide tool and can be used  
on MDF product.  
The width is adaptable but the profile is fixed

Scale : 1 : 2	Part Number : TG-10-B	Style : Transitional Modern	 <b>HOMESTEAD</b> WOODWORKS
<a href="#">Back</a>	Description : T & G Paneling		

Back checking is standard on flooring only, but is available on request for wall paneling & ceiling boards.



**Note:** Reverse Nail Flange

Scale : 1 : 2	Part Number : TG-10-C	Style : Transitional Modern
<a href="#">Back</a>	Description : T & G Paneling	

